

REVISION RECORD			
LTR	ECO NO:	APPROVED:	DATE:

D

C

B

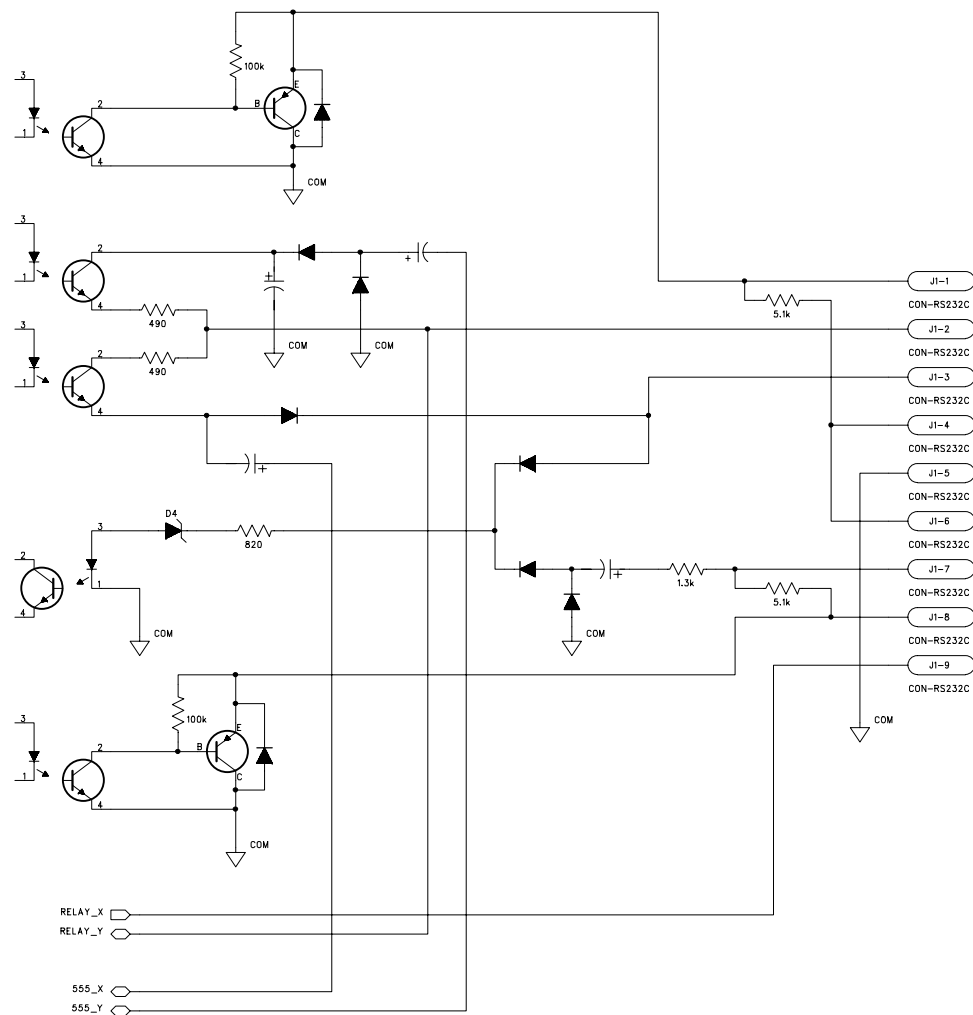
A

D

C

B

A



J1-1 BL-> -->DCD
 CON-RS232C
 J1-2 -->Rx D
 CON-RS232C
 J1-3 <-BS <-Tx D
 CON-RS232C
 J1-4 <-DTR
 CON-RS232C
 J1-5 COM GND
 CON-RS232C
 J1-6 -->DSR
 CON-RS232C
 J1-7 <-RTS
 CON-RS232C
 J1-8 BU-> -->CTS
 CON-RS232C
 J1-9 -->RI
 CON-RS232C

COMPANY:

TITLE:

DRAWN:	DATED:
CHECKED:	DATED:
QUALITY CONTROL:	DATED:
RELEASED:	DATED:

CODE:	SIZE:	DRAWING NO:	REV:
SCALE:			SHEET: OF